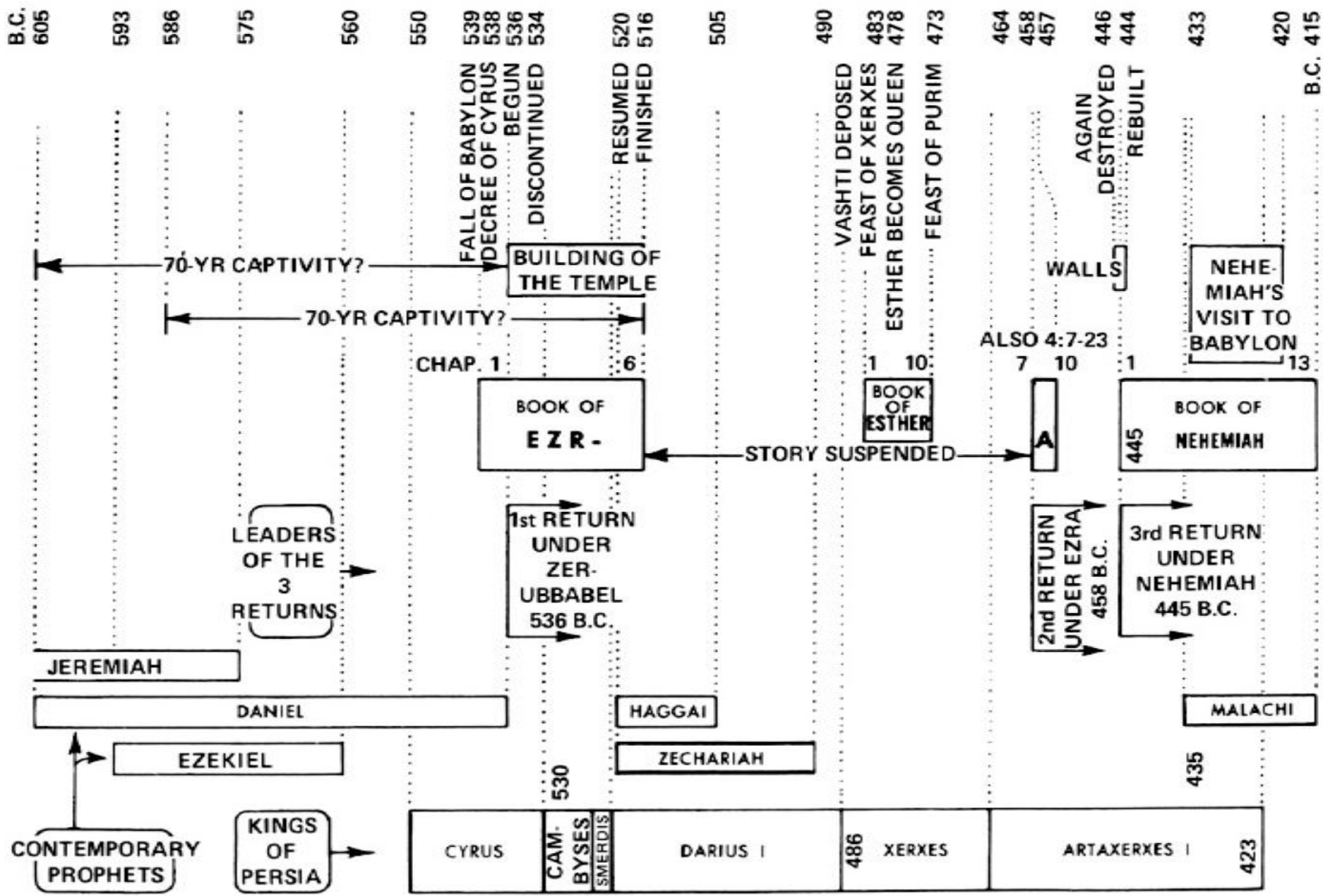


Lesson 11: Discord and Conspiracy

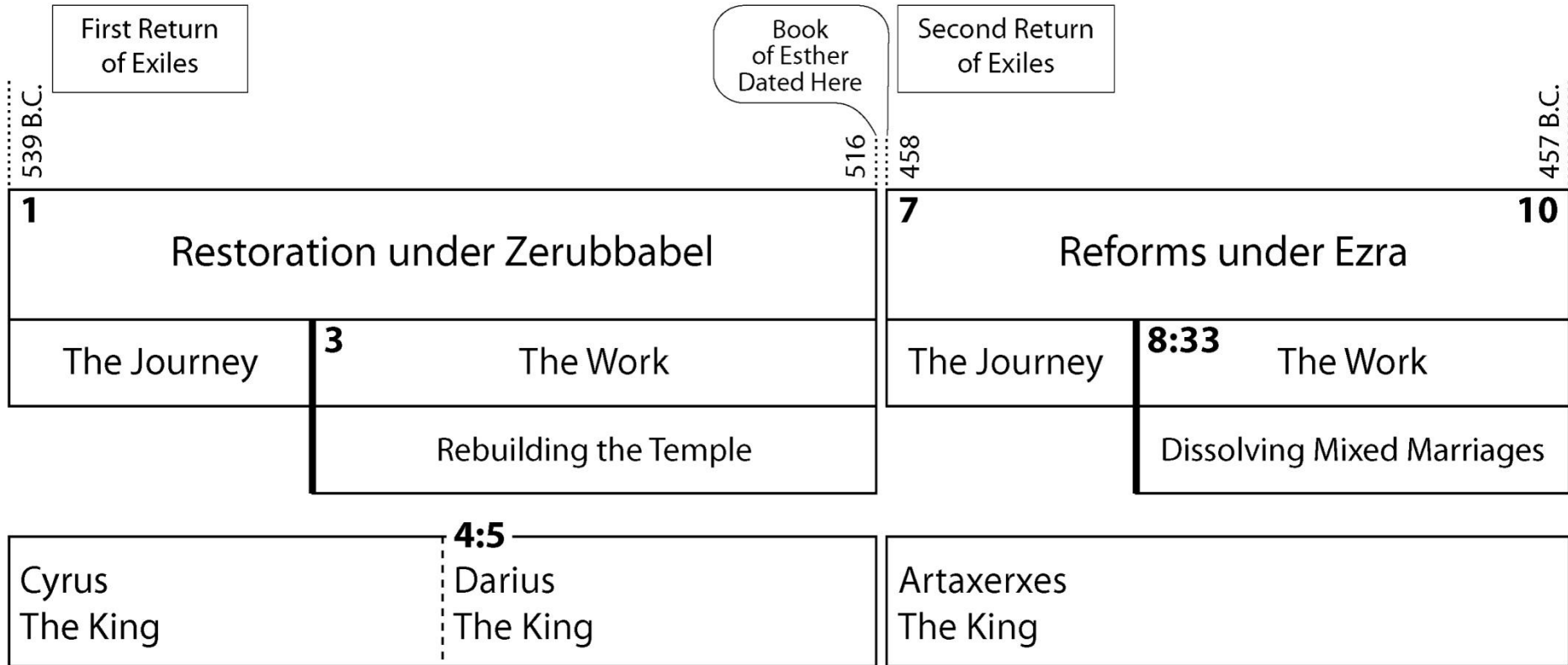
Nehemiah 5-7

- 539 B.C.
 - Zerubbabel (and Joshua)
 - *Temple*
- 457 B.C.
 - Ezra
 - *People*
- 444 B.C.
 - Nehemiah
 - *Wall*



Ezra

Restoration and Reform



Key words and phrases: went up, Jerusalem, decree, house of the Lord, Law of the Lord

Key verses: 6:21-22; 2:1; 7:10



Nehemiah

Building for Security

445 B.C.

444

415 B.C.

The Plans	Reconstruction	Resettlement	Revival	Redistribution	Rededication	Reform
1	3	7	7:73b	11	12:27	12:44 13
 Building for Physical Security			Building for Spiritual Security			
Work — Builders			Worship — Dwellers			
Key: Wall			Key: Law			
Leadership by a man			Revival of a Nation 			

Key words: build, remember, pray, wall, work, mercy

Key verses: 2:17b; 6:3

Ezra-Nehemiah

Ezra

- I. Restoration under Zerubbabel (1-6)
- II. Reforms under Ezra (7-10)

Nehemiah

- III. Building for Physical Security (1-7)
- IV. Building for Spiritual Security (8-13)

A Pattern Repeated in Ezra 1-6; Ezra 7-10; and Nehemiah 1-7

- God stirs up the heart of a faithful Jewish leader in captivity.
- God grants his people favor in the eyes of a Persian king who authorizes a return to the land for a rebuilding project.
- The rebuilding project is threatened by many obstacles.
- All obstacles are overcome through the providential help of God and the wise leadership of the faithful Jewish leader, so that the rebuilding project results in success.

“Reproach”

- Nehemiah 1:3; 2:17; 4:4; 5:9; 6:13
- 1 Samuel 17—Goliath
- 2 Kings 19-20—Sennacherib (and Rabshakeh)

Nehemiah 4-7

Nehemiah 4

External Obstacle:

-Rumors of War

Nehemiah 5

Internal Obstacle:

-Oppression of the Poor

Nehemiah 6

External Obstacle:

*-Nehemiah's Life
Threatened*

Nehemiah 7

Obstacle:

*-An Unpopulated City Is
Vulnerable to Attack*