

Lesson 13: Nehemiah, the Faithful Governor

Nehemiah 11-13

Ezra-Nehemiah

Ezra

- (1-6) Zerubbabel's Rebuilding Project {539 BC}
- (7-10) Ezra's Rebuilding Project {457 BC}

Nehemiah

- (1-7) Nehemiah's Rebuilding Project {444 BC}
- (8-13) Culminating Section

A Pattern Repeated in Ezra 1-6; Ezra 7-10; and Nehemiah 1-7

- In captivity God stirs hearts for a return and a rebuilding project.
- The return and rebuilding project are threatened by many obstacles.
- All obstacles are overcome.
- The rebuilding project results in success.

Nehemiah 11

- Jerusalem Residents (vv. 1-19)
 - Judahites: 468
 - Benjamites: 928
 - Priests: 822 + 242 + 128
 - Levites: 284
 - Gatekeepers: 172
- Additional Notes (vv. 20-24)
- Residents of Other Towns in Judah (vv. 25-36)

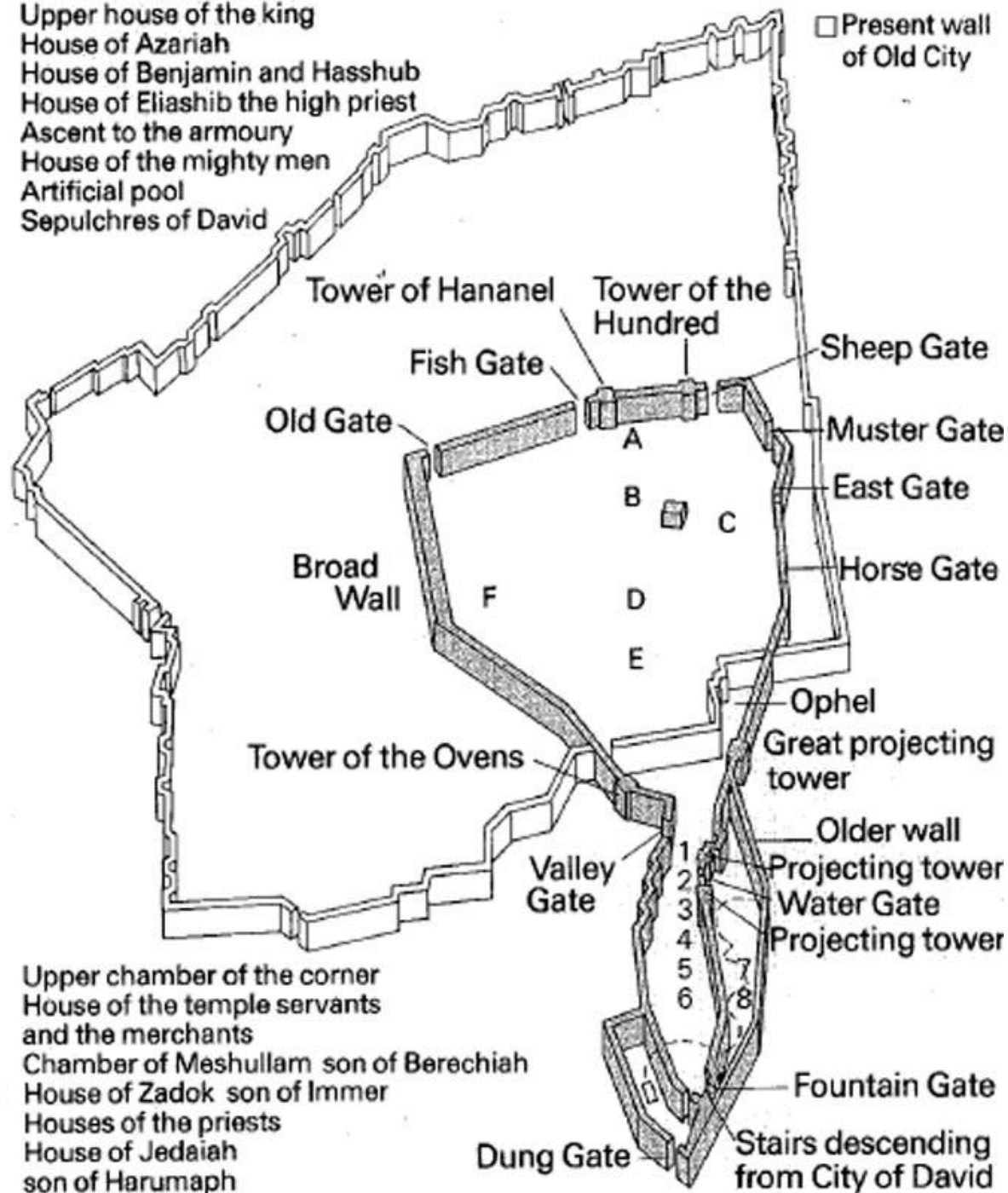
Nehemiah 12:1-26

- “The priests and the Levites who came up with Zerubbabel” (1-9)
- Succession of High Priests (10-11)
- Priests “in the days of Joiakim” (12-21)
- Records kept “in the days of Darius the Persian,” and “in the days of Nehemiah the governor, and in the days of Ezra, the priest, the scribe.” (22-26)

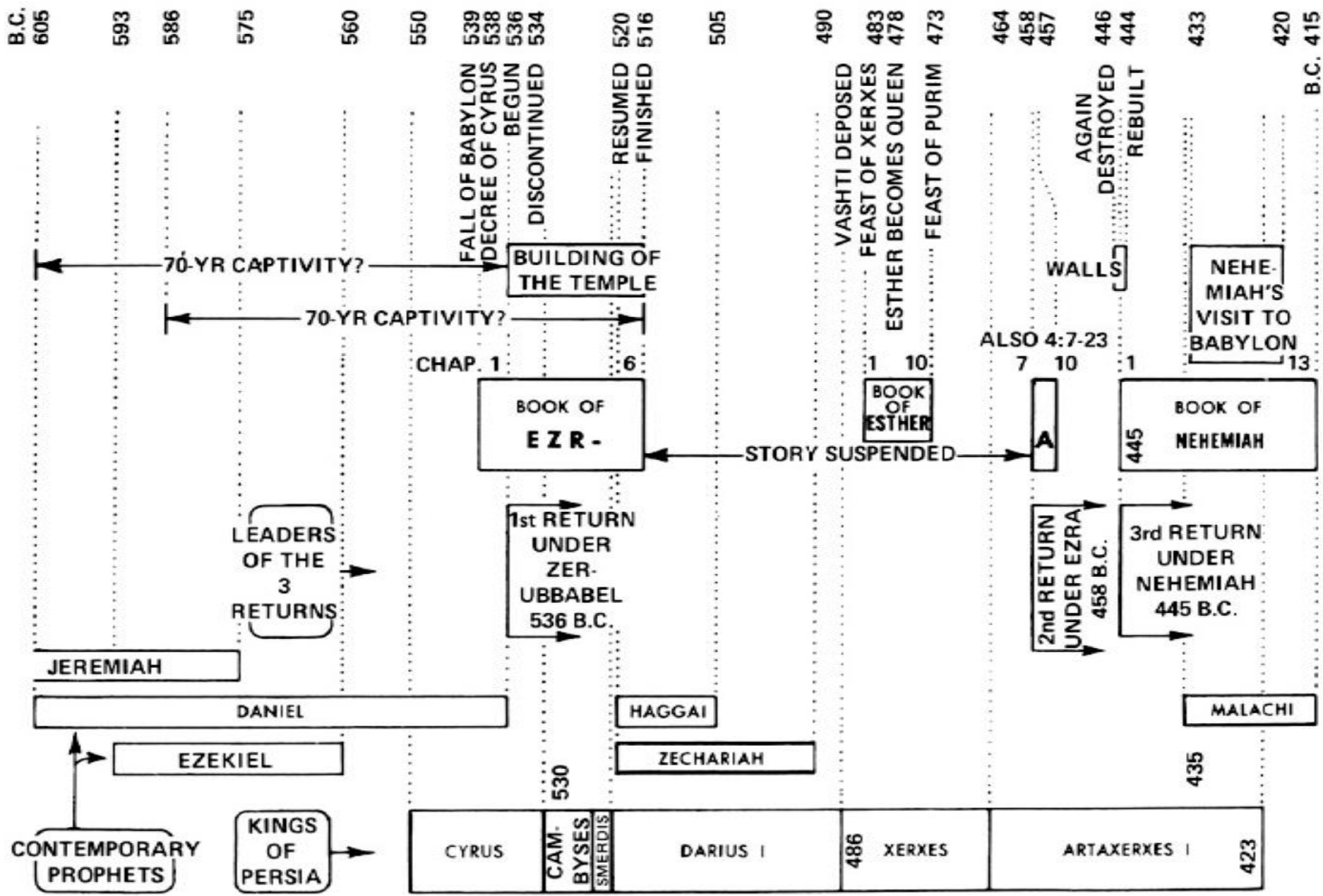
Nehemiah 12:27-13:31

- Dedication Ceremony for the Walls (12:27-43)
- Temple Provisions Organized (12:44-47)
- The People Separate from Foreigners (13:1-3)
- Nehemiah's Return (13:4-31)
 - Tobiah's Room Cleansed (4-9)
 - The Levites' Tithe Enforced (10-14)
 - Sabbath Enforced (15-22)
 - Separation Enforced (23-29)
 - Summary of Reforms Enforced (30-31)

- 1 Upper house of the king
- 2 House of Azariah
- 3 House of Benjamin and Hasshub
- 4 House of Eliashib the high priest
- 5 Ascent to the armoury
- 6 House of the mighty men
- 7 Artificial pool
- 8 Sepulchres of David



- A Upper chamber of the corner
- B House of the temple servants and the merchants
- C Chamber of Meshullam son of Berechiah
- D House of Zadok son of Immer
- E Houses of the priests
- F House of Jedaiah son of Harumaph



“Remember me. . .”

- Nehemiah 13:14
- Nehemiah 13:22
- Nehemiah 13:31

- Nehemiah 5:19

- Luke 23:42