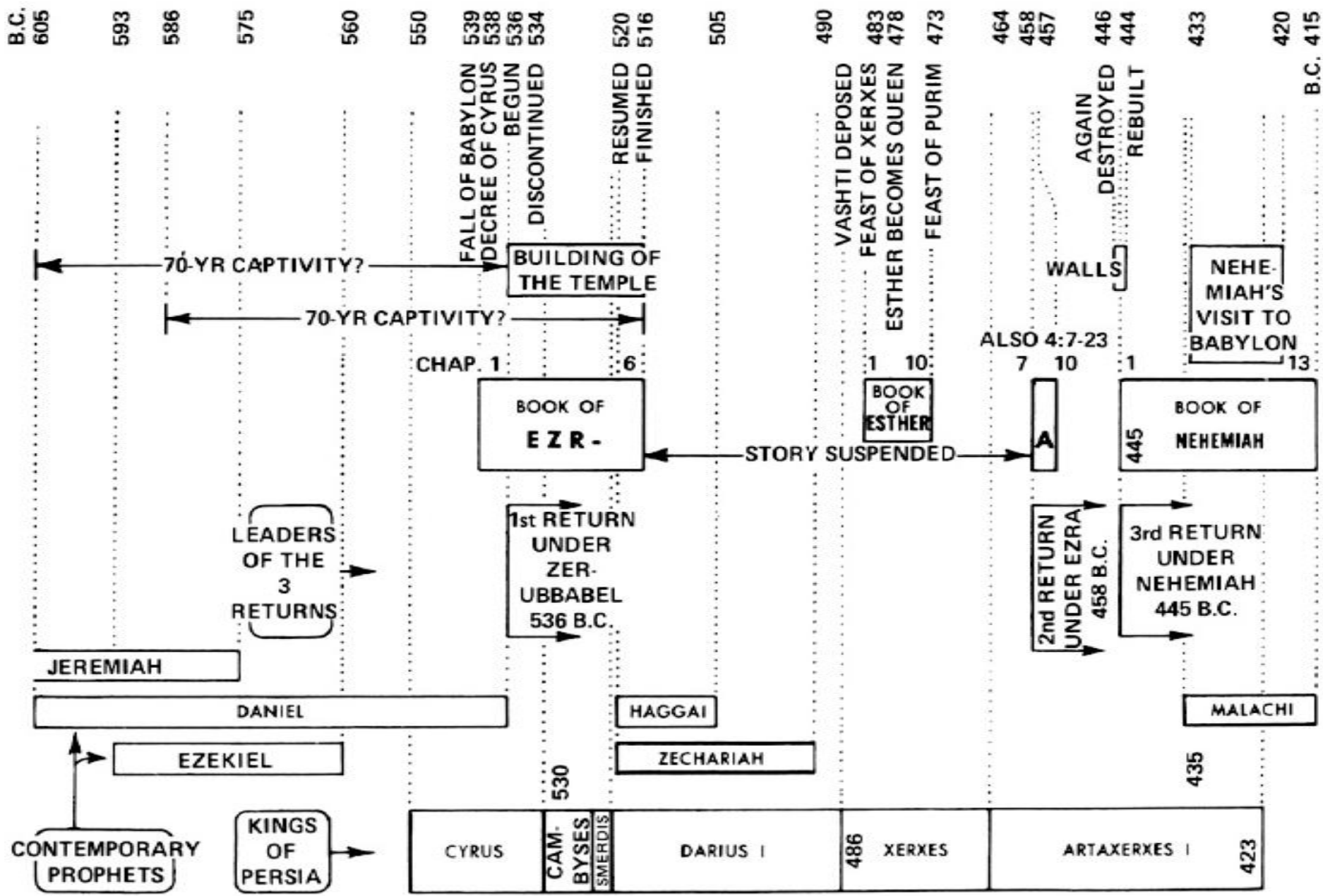


Lesson 16: Spiritual Pollution

Malachi 1-2

“Messenger”

- (1:1)
- (2:7)
- (3:1—two times)



“Covenant”

- (2:4, 5, 8)
- (2:10)
- (2:14)
- (3:1)
- (see also 4:4)

The Book of Malachi in Six “Conversation” Topics

1. God’s Love for Israel (1:1-5)
2. The Priests’ Service (1:6-2:9)
3. Marriage (2:10-16)
4. God’s Apparent Inaction {Part 1} (2:17-3:6)
5. The Tithe (3:7-12)
6. God’s Apparent Inaction {Part 2} (3:13-4:6)

Israel's Questions

- (1:2) “How have you loved us?”
- (1:6) “How have we despised Your name?”
- (1:7) “How have we defiled You?”
- (2:17) “How have we wearied Him?”
- (3:8) “How have we robbed You?”
- (3:13) “What have we spoken against You?”

God's Covenant with Levi

- Numbers 25:11-13
- Psalm 106:28-31
- Deuteronomy 33:8-11
- Jeremiah 33:17-22
- Nehemiah 13:29
- (Hebrews 7-8)